

Important notice

Dear Customer,

On 7 February 2017 the former NXP Standard Product business became a new company with the tradename **Nexperia**. Nexperia is an industry leading supplier of Discrete, Logic and PowerMOS semiconductors with its focus on the automotive, industrial, computing, consumer and wearable application markets

In data sheets and application notes which still contain NXP or Philips Semiconductors references, use the references to Nexperia, as shown below.

Instead of <http://www.nxp.com>, <http://www.philips.com/> or <http://www.semiconductors.philips.com/>, use <http://www.nexperia.com>

Instead of sales.addresses@www.nxp.com or sales.addresses@www.semiconductors.philips.com, use salesaddresses@nexperia.com (email)

Replace the copyright notice at the bottom of each page or elsewhere in the document, depending on the version, as shown below:

- © NXP N.V. (year). All rights reserved or © Koninklijke Philips Electronics N.V. (year). All rights reserved

Should be replaced with:

- © **Nexperia B.V. (year). All rights reserved.**

If you have any questions related to the data sheet, please contact our nearest sales office via e-mail or telephone (details via salesaddresses@nexperia.com). Thank you for your cooperation and understanding,

Kind regards,

Team Nexperia

AN11172

Mounting instructions for SOT78 (TO-220AB); SOT186A (TO-220F)

Rev. 1 — 29 May 2012

Application note

Document information

Info	Content
Keywords	SOT78; SOT186A; TO-220AB; TO-220F
Abstract	This application note provides mounting instructions for SOT78 (TO-220AB) and SOT186A (TO-220F) packages



Revision history

Rev	Date	Description
v.1	20120529	initial version

Contact information

For more information, please visit: <http://www.nxp.com>

For sales office addresses, please send an email to: salesaddresses@nxp.com

1. Introduction

This application note provides mounting instructions for SOT78 (TO-220AB) and SOT186A (TO-220F) packages.

2. General data and instructions

2.1 General rules

1. Fasten the device to the heatsink before soldering the leads
2. Avoid stress to the leads
3. Keep mounting tool (for example, screwdriver) clear of the plastic body
4. When screw mounting, the washer must not exert any force on the plastic part of the body.

2.2 Mounting methods

2.2.1 Clip mounting

Mounting with a spring clip gives:

- A good thermal contact under the crystal area, and slightly lower thermal resistance than screw mounting
- Safe insulation for mains operation.

Minimum force for good heat transfer is 10 N. Maximum force to avoid damaging the device is 80 N.

2.2.2 M3 screw mounting

It is recommended that a metal washer is inserted between screw head and mounting tab. Do not use self-tapping screws.

Mounting torque for screw mounting (for thread-forming screws the values are final values):

- Minimum torque for good heat transfer is 0.55 Nm
- Maximum torque to avoid damaging the device is 0.80 Nm.

When a nut or screw is driven directly against the tab, the torques are as follows:

- Minimum torque for good heat transfer is 0.40 Nm
- Maximum torque to avoid damaging the device is 0.60 Nm.

2.2.3 Rivet mounting non-insulated

Do not pop-rivet the device to the heatsink. It is permissible to press-rivet the metal tab providing that eyelet rivets of soft material are used, and the press forces are slowly and carefully controlled.

This method is not permitted for full-pack packages (SOT186A) because it damages the plastic encapsulation insulation properties.

2.3 Heatsink requirements

Flatness in the mounting area: 0.02 mm maximum per 10 mm.

Deburr the mounting holes. For further information, see [Section 3 “Instructions for clip mounting”](#) and [Section 4 “Instructions for screw mounting”](#)

2.4 Heatsink compound

The thermal resistance from mounting base to heatsink $R_{th(mb-h)}$ can be reduced by applying a smear of aluminium oxide compound between the contact surfaces. Values given are of thermal resistance using this type of compound. Dow Corning 340 Heat sink compound is recommended. For insulated mounting, apply the compound to the bottom of both device and insulator. Avoid applying excess compound as the thermal resistance that results can be higher than if no compound is applied.

2.5 Thermal data for TO-220 packages with various heatsink mounting methods

The mounting base-to-heatsink thermal resistance $R_{th(mb-h)}$ is package-dependent, not device dependent. It applies to all devices in a given package. The figures given in [Table 1](#) assume optimum mounting conditions (that is flat heatsink, spring clip mounted, optimum quantity of heatsink compound where applicable). However the junction-to-mounting base thermal resistance $R_{th(j-mb)}$ is device-dependent; figures are quoted separately in each data sheet.

For full-pack (SOT186A) devices, junction-to-heatsink thermal resistance $R_{th(j-h)}$ with and without heatsink compound are quoted separately in each data sheet.

Table 1. Thermal resistance from mounting base to heatsink; $R_{th(mb-h)}$

Mounting method	clip	screw
	(K/W)	
Direct with heatsink compound	0.3	0.5
Direct without heatsink compound	1.4	1.4
With heatsink compound and 0.1 mm maximum mica insulator	2.2	-
With heatsink compound and 0.25 mm maximum alumina insulator	0.8	-
With heatsink compound and 0.05 mm mica insulator	0.8	-
insulated up to 500 V	-	1.4
insulated up to 800 V / 1000 V	-	1.6
Without heatsink compound and 0.05 mm mica insulator	0.8	-
insulated up to 500 V	-	3.0
insulated up to 800 V / 1000 V	-	4.5

Additional insulators are generally not required when mounting the full-pack (SOT186A) package.

2.6 Soldering

Recommendations for devices with a maximum storage temperature rating ≤ 175 °C:

2.6.1 Dip or wave soldering

Maximum permissible solder temperature is 260 °C at a distance from the body of > 5 mm and for a total contact time with soldering bath or waves of < 7 s.

2.6.2 Hand soldering

Maximum permissible temperature is 275 °C at a distance from the body of > 3 mm and for a total contact time with the soldering iron of < 5 s.

The body of the device must not touch anything with a temperature > 200 °C.

It is not permitted to solder the metal tab of the device to a heatsink.

Avoid any force on body and leads during or after soldering; do not correct the position of the device or of its leads after soldering.

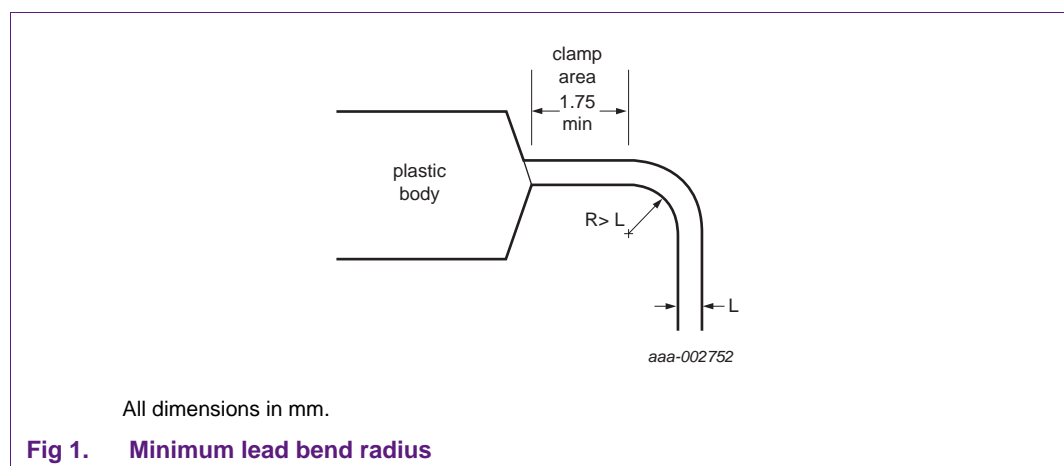
2.7 Lead bending

Maximum permissible tensile force on the body for 5 seconds is 20 N.

The leads can be bent, twisted or straightened. To keep forces within the above mentioned limits, always clamp the leads rigidly near the body during bending. This prevents damage to the seal of the leads within the plastic body.

Leads can be bent as near to the body as required, but allow an adequate length of minimum 1.75 mm from the body to the start of a bend radius for clamping.

The internal radius of bend must never be less than the thickness of the lead. A minimum radius of at least $1.5 \times$ lead thickness is preferred; see [Figure 1](#). Surface cracks in the plating on the lead are common when a radius less than $1.5 \times$ lead thickness is used. Although exposing the copper material, these cracks do not affect the mechanical strength of the lead.



2.8 Additional guidelines

It is recommended that, where a device is rigidly secured to a heatsink which is in turn rigidly secured to a PCB, a bend is formed into the leads to act as an expansion loop. This prevents differential expansion of the mounting parts transferring stress to the soldering joint, as shown in [Figure 2](#). It is only necessary where the device is mounted so rigidly that expansion forces are transmitted through the assembly.

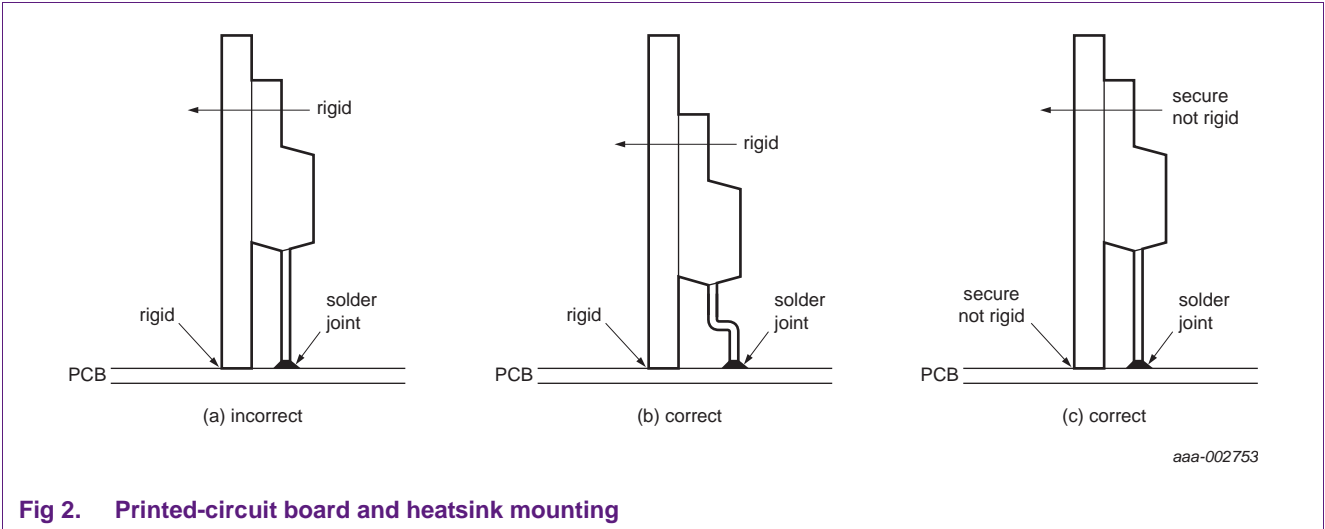
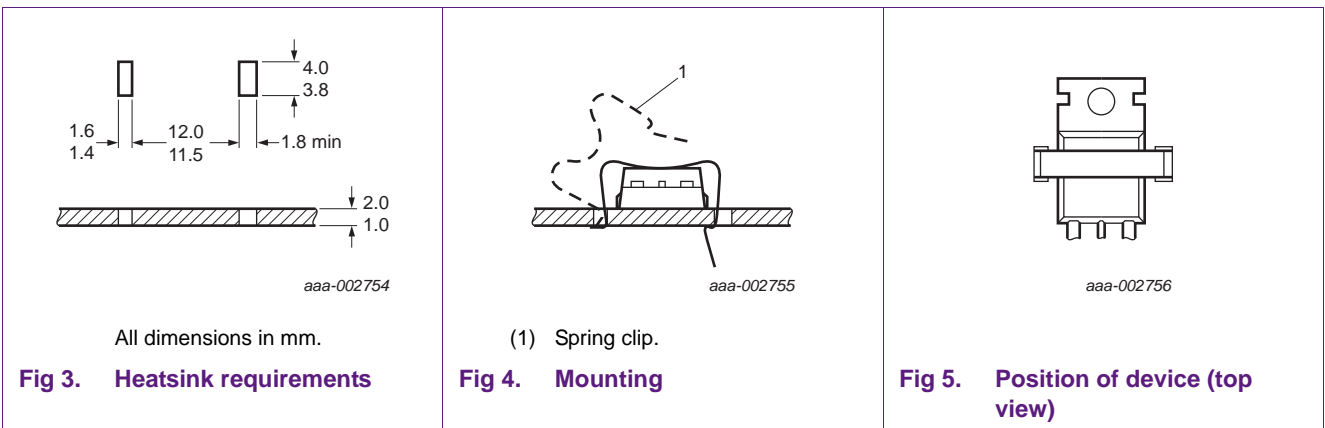


Fig 2. Printed-circuit board and heatsink mounting

3. Instructions for clip mounting

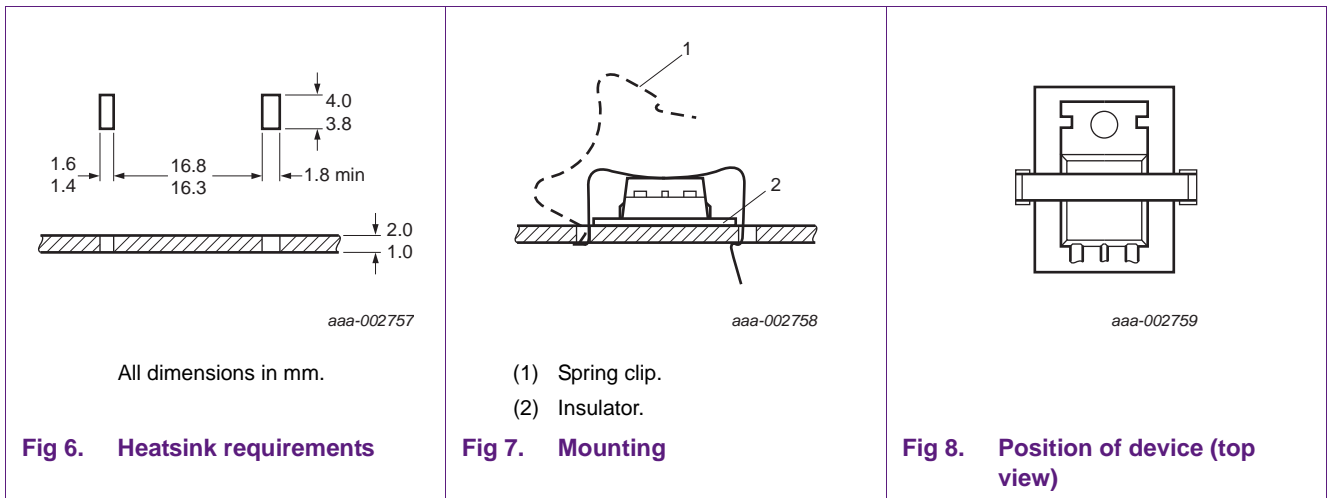
3.1 Direct mounting with spring clip

1. Apply heatsink compound to the mounting base, then place the device on the heatsink
2. Push the short end of the clip into the narrow slot in the heatsink with the clip at an angle of 10° to 30° to the vertical; see [Figure 3](#) and [Figure 4](#).
3. Push down the clip over the device until the long end of the clip snaps into the wide slot in the heatsink. The clip must bear on the plastic body, not on the tab; see [Figure 5](#).



3.2 Insulated mounting with spring clip

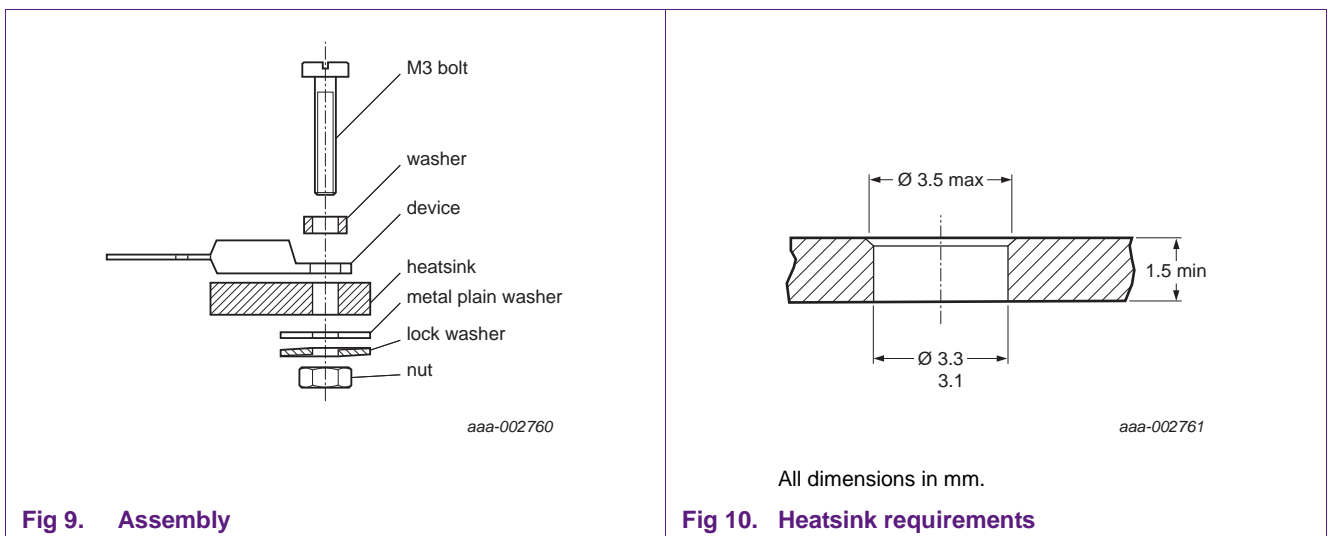
1. Apply heatsink compound to the bottom of both device and insulator, then place the device with the insulator on the heatsink.
2. Push the short end of the clip into the narrow slot in the heatsink with the clip at an angle of 10° to 30° to the vertical; see [Figure 6](#), [Figure 7](#) and [Figure 8](#).
3. Push down the clip over the device until the long end of the clip snaps into the wide slot in the heatsink. The clip must bear on the plastic body, not on the tab. Ensure that the device is centered on the mica insulator to prevent unwanted movement.



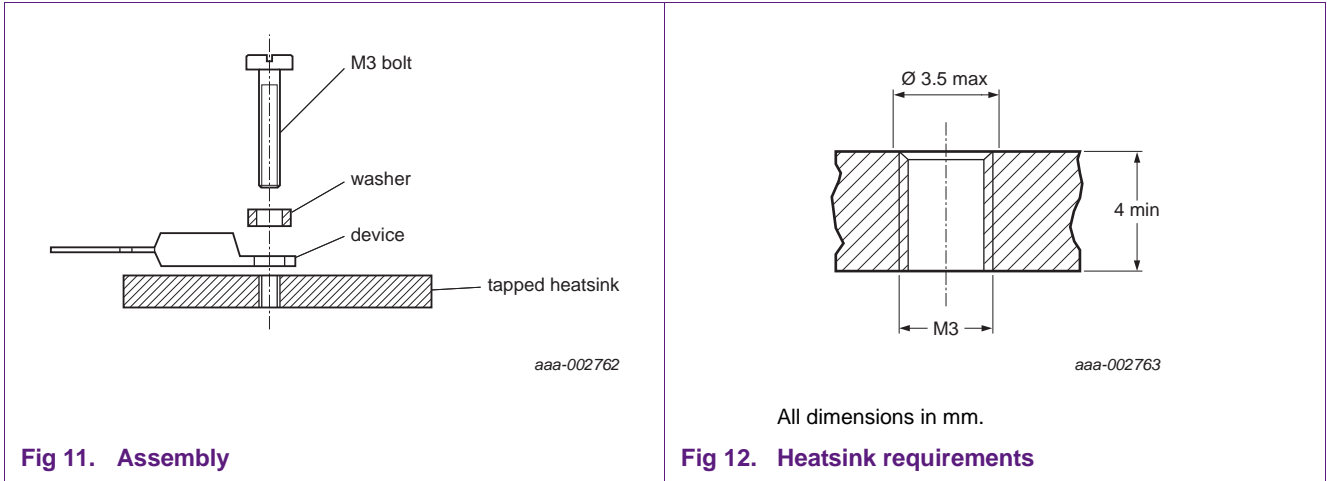
4. Instructions for screw mounting

4.1 Direct mounting with screw and spacing washer

4.1.1 Through heatsink with nut



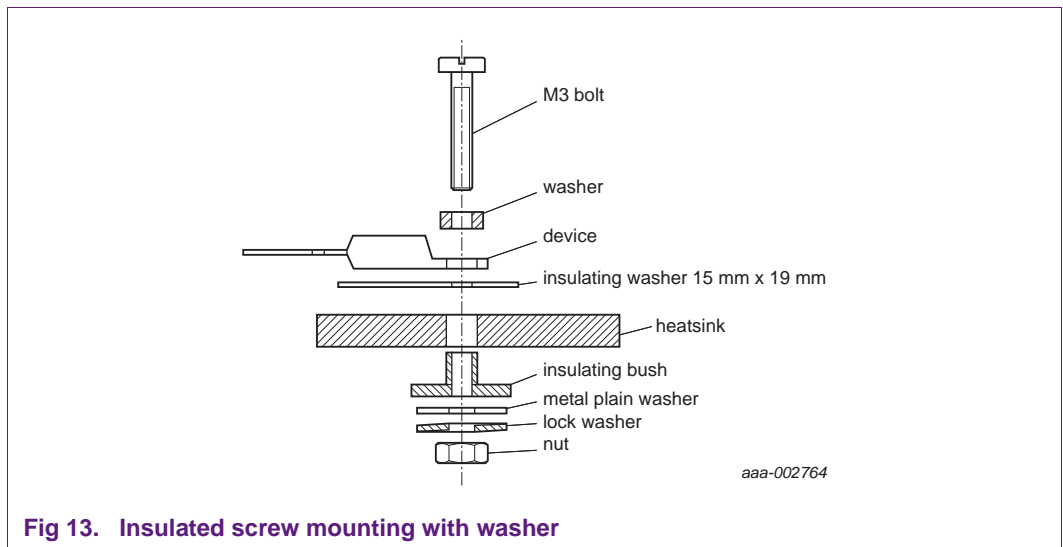
4.1.2 Into tapped heatsink

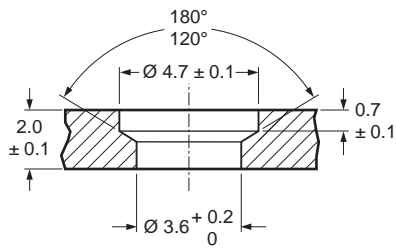


4.2 Insulated mounting with screw and spacing washer

Not recommended where mounting tab is at mains voltage. Not applicable to full-pack packages (SOT186A).

4.2.1 Through heatsink with nut

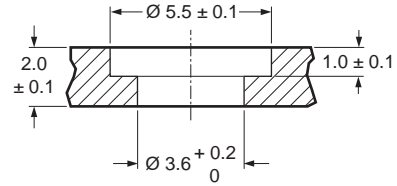




aaa-002765

All dimensions in mm.

Fig 14. Heatsink requirements for 500 V insulation

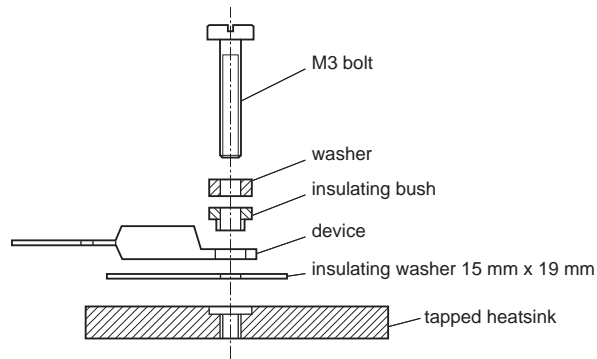


aaa-002766

All dimensions in mm.

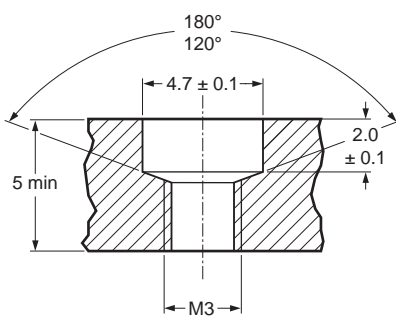
Fig 15. Heatsink requirements for 800 V insulation

4.2.2 Into tapped heatsink



aaa-002767

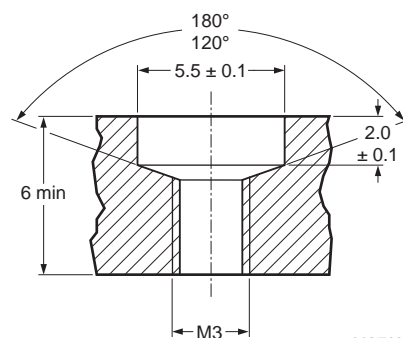
Fig 16. Insulated screw mounting with washer into tapped heatsink



aaa-002768

All dimensions in mm.

Fig 17. Heatsink requirements for 500 V insulation



aaa-002769

All dimensions in mm.

Fig 18. Heatsink requirements for 1000 V insulation

5. Legal information

5.1 Definitions

Draft — The document is a draft version only. The content is still under internal review and subject to formal approval, which may result in modifications or additions. NXP Semiconductors does not give any representations or warranties as to the accuracy or completeness of information included herein and shall have no liability for the consequences of use of such information.

5.2 Disclaimers

Limited warranty and liability — Information in this document is believed to be accurate and reliable. However, NXP Semiconductors does not give any representations or warranties, expressed or implied, as to the accuracy or completeness of such information and shall have no liability for the consequences of use of such information. NXP Semiconductors takes no responsibility for the content in this document if provided by an information source outside of NXP Semiconductors.

In no event shall NXP Semiconductors be liable for any indirect, incidental, punitive, special or consequential damages (including - without limitation - lost profits, lost savings, business interruption, costs related to the removal or replacement of any products or rework charges) whether or not such damages are based on tort (including negligence), warranty, breach of contract or any other legal theory.

Notwithstanding any damages that customer might incur for any reason whatsoever, NXP Semiconductors' aggregate and cumulative liability towards customer for the products described herein shall be limited in accordance with the *Terms and conditions of commercial sale* of NXP Semiconductors.

Right to make changes — NXP Semiconductors reserves the right to make changes to information published in this document, including without limitation specifications and product descriptions, at any time and without notice. This document supersedes and replaces all information supplied prior to the publication hereof.

Suitability for use — NXP Semiconductors products are not designed, authorized or warranted to be suitable for use in life support, life-critical or safety-critical systems or equipment, nor in applications where failure or malfunction of an NXP Semiconductors product can reasonably be expected to result in personal injury, death or severe property or environmental damage. NXP Semiconductors and its suppliers accept no liability for inclusion and/or use of NXP Semiconductors products in such equipment or applications and therefore such inclusion and/or use is at the customer's own risk.

Applications — Applications that are described herein for any of these products are for illustrative purposes only. NXP Semiconductors makes no representation or warranty that such applications will be suitable for the specified use without further testing or modification.

Customers are responsible for the design and operation of their applications and products using NXP Semiconductors products, and NXP Semiconductors accepts no liability for any assistance with applications or customer product

design. It is customer's sole responsibility to determine whether the NXP Semiconductors product is suitable and fit for the customer's applications and products planned, as well as for the planned application and use of customer's third party customer(s). Customers should provide appropriate design and operating safeguards to minimize the risks associated with their applications and products.

NXP Semiconductors does not accept any liability related to any default, damage, costs or problem which is based on any weakness or default in the customer's applications or products, or the application or use by customer's third party customer(s). Customer is responsible for doing all necessary testing for the customer's applications and products using NXP Semiconductors products in order to avoid a default of the applications and the products or of the application or use by customer's third party customer(s). NXP does not accept any liability in this respect.

Export control — This document as well as the item(s) described herein may be subject to export control regulations. Export might require a prior authorization from competent authorities.

Evaluation products — This product is provided on an "as is" and "with all faults" basis for evaluation purposes only. NXP Semiconductors, its affiliates and their suppliers expressly disclaim all warranties, whether express, implied or statutory, including but not limited to the implied warranties of non-infringement, merchantability and fitness for a particular purpose. The entire risk as to the quality, or arising out of the use or performance, of this product remains with customer.

In no event shall NXP Semiconductors, its affiliates or their suppliers be liable to customer for any special, indirect, consequential, punitive or incidental damages (including without limitation damages for loss of business, business interruption, loss of use, loss of data or information, and the like) arising out of the use of or inability to use the product, whether or not based on tort (including negligence), strict liability, breach of contract, breach of warranty or any other theory, even if advised of the possibility of such damages.

Notwithstanding any damages that customer might incur for any reason whatsoever (including without limitation, all damages referenced above and all direct or general damages), the entire liability of NXP Semiconductors, its affiliates and their suppliers and customer's exclusive remedy for all of the foregoing shall be limited to actual damages incurred by customer based on reasonable reliance up to the greater of the amount actually paid by customer for the product or five dollars (US\$5.00). The foregoing limitations, exclusions and disclaimers shall apply to the maximum extent permitted by applicable law, even if any remedy fails of its essential purpose.

Translations — A non-English (translated) version of a document is for reference only. The English version shall prevail in case of any discrepancy between the translated and English versions.

5.3 Trademarks

Notice: All referenced brands, product names, service names and trademarks are the property of their respective owners.

6. Contents

1	Introduction	3
2	General data and instructions	3
2.1	General rules	3
2.2	Mounting methods	3
2.2.1	Clip mounting	3
2.2.2	M3 screw mounting	3
2.2.3	Rivet mounting non-insulated	3
2.3	Heatsink requirements	4
2.4	Heatsink compound	4
2.5	Thermal data for TO-220 packages with various heatsink mounting methods	4
2.6	Soldering	4
2.6.1	Dip or wave soldering	5
2.6.2	Hand soldering	5
2.7	Lead bending	5
2.8	Additional guidelines	6
3	Instructions for clip mounting	6
3.1	Direct mounting with spring clip	6
3.2	Insulated mounting with spring clip	7
4	Instructions for screw mounting	7
4.1	Direct mounting with screw and spacing washer	7
4.1.1	Through heatsink with nut	7
4.1.2	Into tapped heatsink	8
4.2	Insulated mounting with screw and spacing washer	8
4.2.1	Through heatsink with nut	8
4.2.2	Into tapped heatsink	9
5	Legal information	10
5.1	Definitions	10
5.2	Disclaimers	10
5.3	Trademarks	10
6	Contents	11

Please be aware that important notices concerning this document and the product(s) described herein, have been included in section 'Legal information'.

© NXP B.V. 2012.

All rights reserved.

For more information, please visit: <http://www.nxp.com>

For sales office addresses, please send an email to: salesaddresses@nxp.com

Date of release: 29 May 2012

Document identifier: AN11172